

SURGEJECT™

Automatic AC Disconnect

5 YEAR
WARRANTY

Automatic AC disconnect ejects power cord upon ignition to prevent damage

- Designed for emergency vehicle use
- Motor driven design ensures years of reliable operation
- Automatically attempts additional ejections if needed
- The ejection piston is self-recessing, with no cocking required
- Keyed plug design allows for easy one-handed insertion of connector
- Anti-arcing design on insertion and ejection
- Built in status LED indicates the presence of AC power and ejection alerts
- Compatible with existing 15A and 20A connectors already in the station
- Standard mounting holes for easy retrofit
- Includes connector, yellow cover and 5 label kit
- 6 color covers available
- Pigtails offer a secondary method of disconnecting from shore power for added reliability (sold separately)



7850 / 7851



7840 / 7841

Related Products



P12 Battery Charger

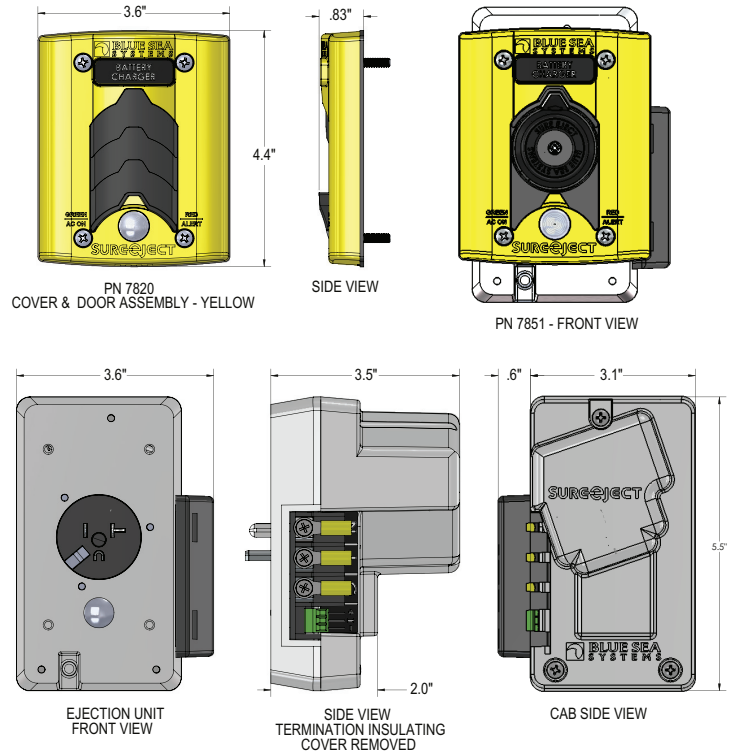


EV Battery Charger Display

Specs

Operating Voltage Range	8V -16V DC
Nominal Voltage	120V AC

Part #	Description	Continuous Rating
7850	Sure Eject	15A
7850001	Sure Eject - No Cover	15A
7851	Sure Eject	20A
7851001	Sure Eject - No Cover	20A
7840	Connector	15A
7841	Connector	20A
7820	Yellow Cover	-
7821	Red Cover	-
7822	Black Cover	-
7823	White Cover	-
7824	Blue Cover	-
7825	Grey Cover	-
7830	Sure Eject Yellow Pigtail	15A
7831	Sure Eject Yellow Pigtail	20A
7832	Standard Black Pigtail	15A
7833	Standard Black Pigtail	20A
7834	Adapter Pigtail	15A to 20A



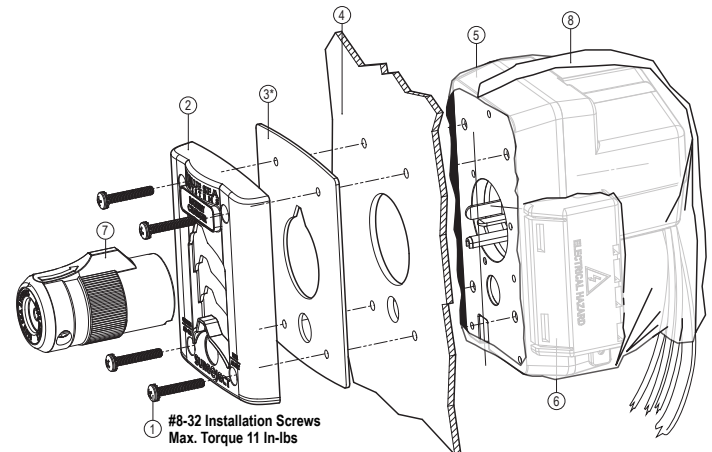
Sure Eject Mounting Adapter

Easily install 15A and 20A Sure Eject units from the outside of a vehicle

- Allows one person installation of Sure Eject
- No special shaped cutouts required
- Threaded backing plate secures Sure Eject to vehicle without added hardware
- Compatible with all 15A and 20A Sure Eject ejection units and covers



Part #	Description
7860	Sure Eject Mounting Adapter



1. Installation Screw #8-32 (4 packs included)
2. Cover & Door Assembly
3. Mounting Gasket
4. Mounting Surface
5. Ejection Unit
6. AC/DC Termination Cover
7. Connector 120V AC
8. Weather-resistant boot

Specifications subject to change. See blueseasystems.com for current information.